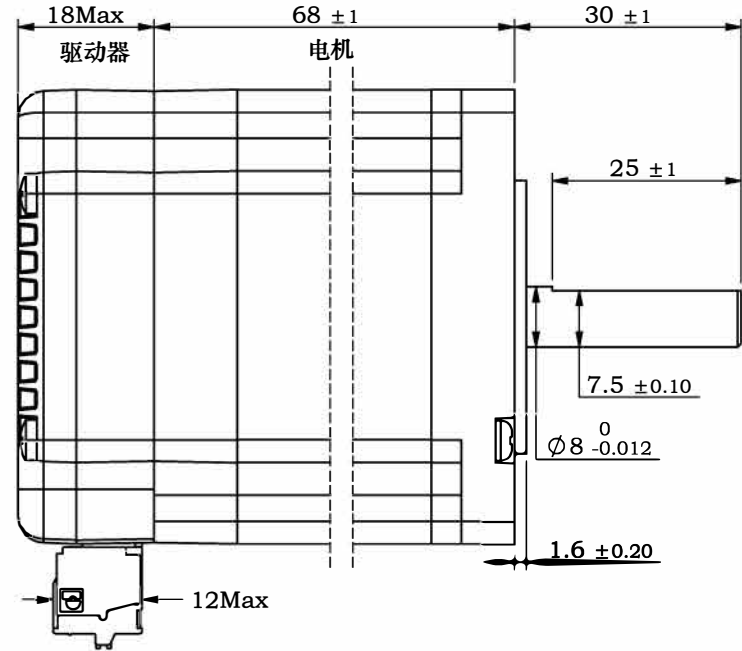
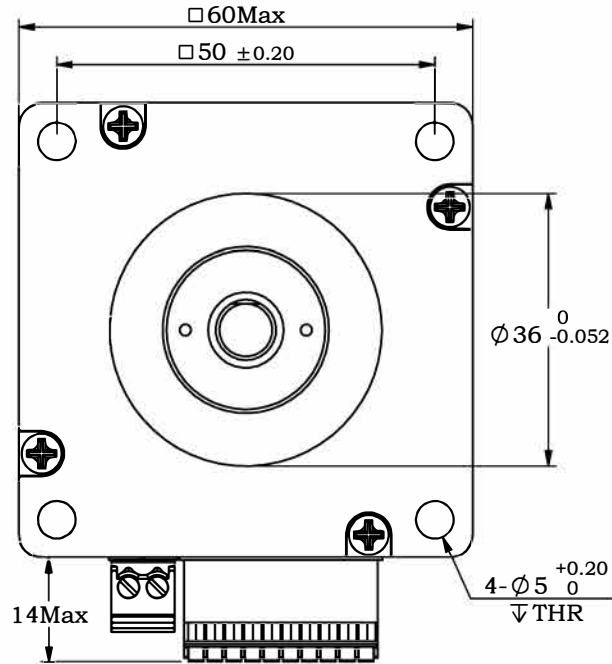


※ 尺寸/Dimensions 单位/Unit: (mm)



| ※ 规格/ Specification | | ※ 端口功能/Port Function | | ※ 端子定义/Terminal definitions | | ※ 铭牌内容/Label discription | | | | | | | | | | | | | |
|---------------------|---------------------------------|-----------------------------------|-----|---|------|----------------------------------|------|-------------|-------|-------|------|------|------|------|------|-------|-------|-------|-----|
| 输入电压范围 | 24~60vdc | 序号 | 名称 | 功能 | | | | | | | | | | | | | | | |
| 输出力矩范围 | 最大2.2N.m | 1 | V+ | 电源正 (24~60vdc) | | | | | | | | | | | | | | | |
| 功率放大类型 | 双 H-桥, 4 象限 | 2 | V- | 电源地 (GND) | | | | | | | | | | | | | | | |
| 保护 | 过压、欠压、过流、绕组开路、位置偏差 | 3 | PU+ | 光电隔离, 差分, 兼容5~24VDC, 默认脉冲输入口, 滤波频率300KHZ; | | | | | | | | | | | | | | | |
| 电流设置 | 软件可调, 0.5~6.5可调, 出厂适配电机 | 4 | PU- | 可通过上位机定义端口功能, 滤波频率。 | | | | | | | | | | | | | | | |
| 细分设置 | 拨码16档可调; 软件200-1000000整数可调 | 5 | DR+ | 光电隔离, 差分, 兼容5~24VDC, 默认方向输入口, 滤波频率300KHZ; | | | | | | | | | | | | | | | |
| 速度范围 | 最高可达3000rpm | 6 | DR- | 可通过上位机定义端口功能, 滤波频率。 | | | | | | | | | | | | | | | |
| 距离范围 | 超过 10,000,000 圈 (200 steps/rev) | 7 | EN+ | 光电隔离, 差分, 兼容5~24VDC, 默认使能输入口, 滤波频率10KHZ; | | | | | | | | | | | | | | | |
| 滤波频率 | 出厂默认300KHZ, 可通过软件设置 | 8 | EN- | 可通过上位机定义端口功能, 滤波频率。 | | | | | | | | | | | | | | | |
| 控制方式 | 脉冲+方向; 双脉冲 | 9 | AL+ | 报警状态输出端口, 可检测电机报警状态, 默认常闭, 正常时输出。 | | | | | | | | | | | | | | | |
| 编码器反馈 | 1000线(4000 Counts)编码器反馈 | 10 | AL- | 可通过软件取反或设置成其他功能。 | | | | | | | | | | | | | | | |
| 非易失性存储 | 配置参数存储在MCU内部的FLASH中 | 11 | EX+ | 到位状态输出端口, 可检测电机到位状态, 到位时输出。 | | | | | | | | | | | | | | | |
| 重量 | ≈ 1.1 Kg | 12 | EX- | 可通过软件取反或设置成其他功能。 | | | | | | | | | | | | | | | |
| 转子惯量 | ≈ 490 g.cm ² | ※ 拨码设置/Serial port Settings | | | | | | | | | | | | | | | | | |
| 使用温度范围 | 0° C~+40° C | 细分 | 400 | 800 | 1600 | 3200 | 6400 | 12800 | 25600 | 51200 | 1000 | 2000 | 4000 | 5000 | 8000 | 10000 | 20000 | 40000 | |
| 使用湿度范围 | 20%RH~90%RH | SW1 | ON | OFF | ON | OFF | ON | OFF | ON | OFF | ON | OFF | ON | OFF | ON | OFF | ON | OFF | ON |
| 通讯方式 | TTL | SW2 | ON | ON | OFF | OFF | ON | ON | OFF | OFF | ON | ON | OFF | OFF | ON | ON | OFF | OFF | OFF |
| 波特率 | 115200 | SW3 | ON | ON | ON | ON | OFF | OFF | OFF | OFF | ON | ON | ON | ON | OFF | OFF | OFF | OFF | OFF |
| 数据位 | 8 | SW4 | ON | ON | ON | ON | ON | ON | ON | ON | OFF | OFF | OFF | OFF | OFF | OFF | OFF | OFF | OFF |
| 停止位 | 1 | SW5:用于设定单双脉冲, OFF时为脉冲+方向, ON时为双脉冲 | | | | | | | | | | | | | | | | | |
| 校验位 | 无 | SW6:用于设定运动方向, OFF时为CW, ON时为CCW | | | | | | | | | | | | | | | | | |
| | | | | 第一角画法 Frist Angel View | | 型号/Model | | I1H60E22-D4 | | | | | | | | | | | |
| | | | | 公差 Tolerance | | 比例 Scale | | 页码 Sheet | | | | | | | | | | | |
| | | | | ±0.3 | | 1:1 | | 1/1 | | | | | | | | | | | |
| | | | | 名称/Name | | 集成式步进伺服 Integrated step servo | | | | | | | | | | | | | |
| | | | | 品号/Product No. | | | | | | | | | | | | | | | |

